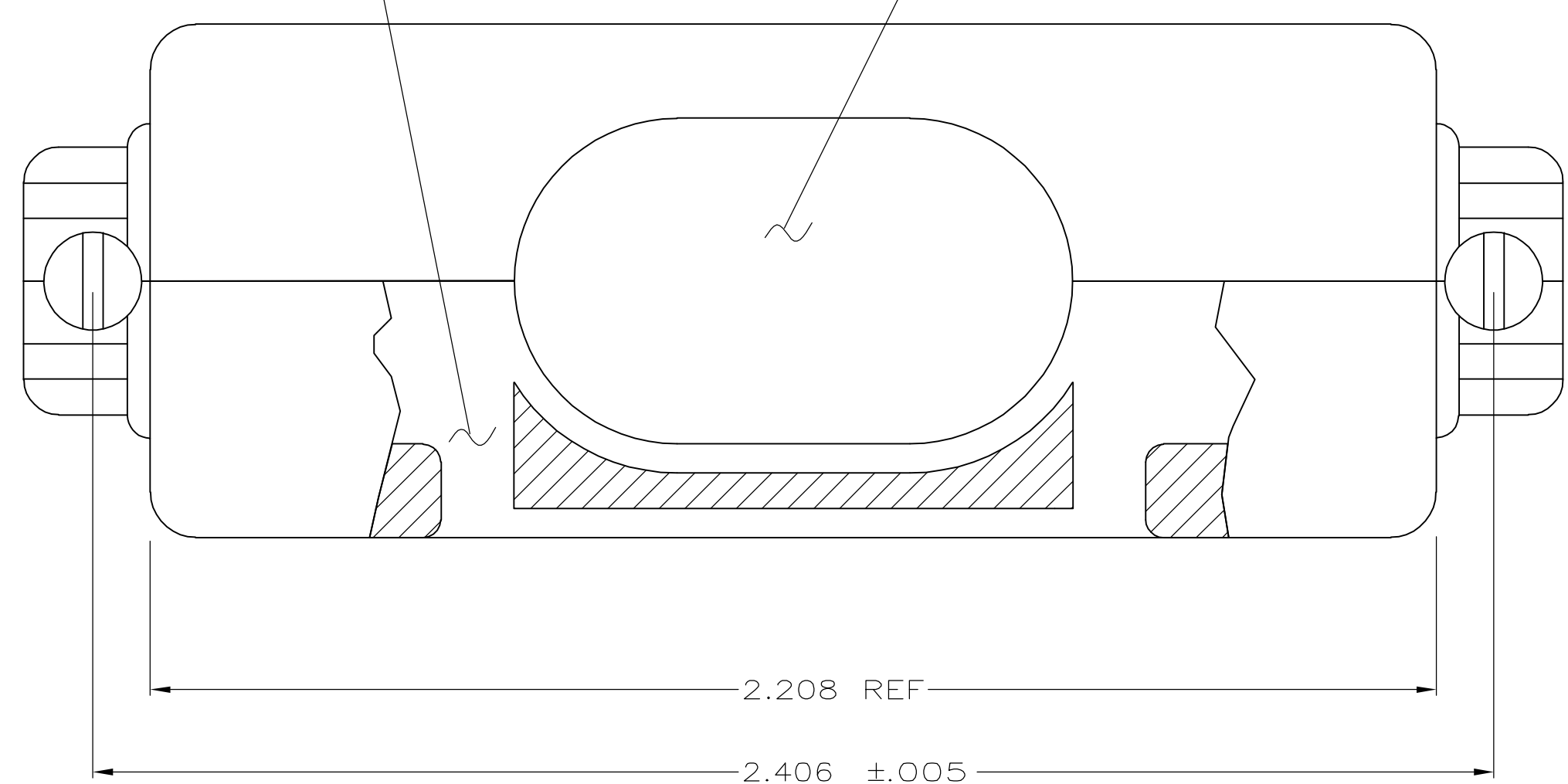
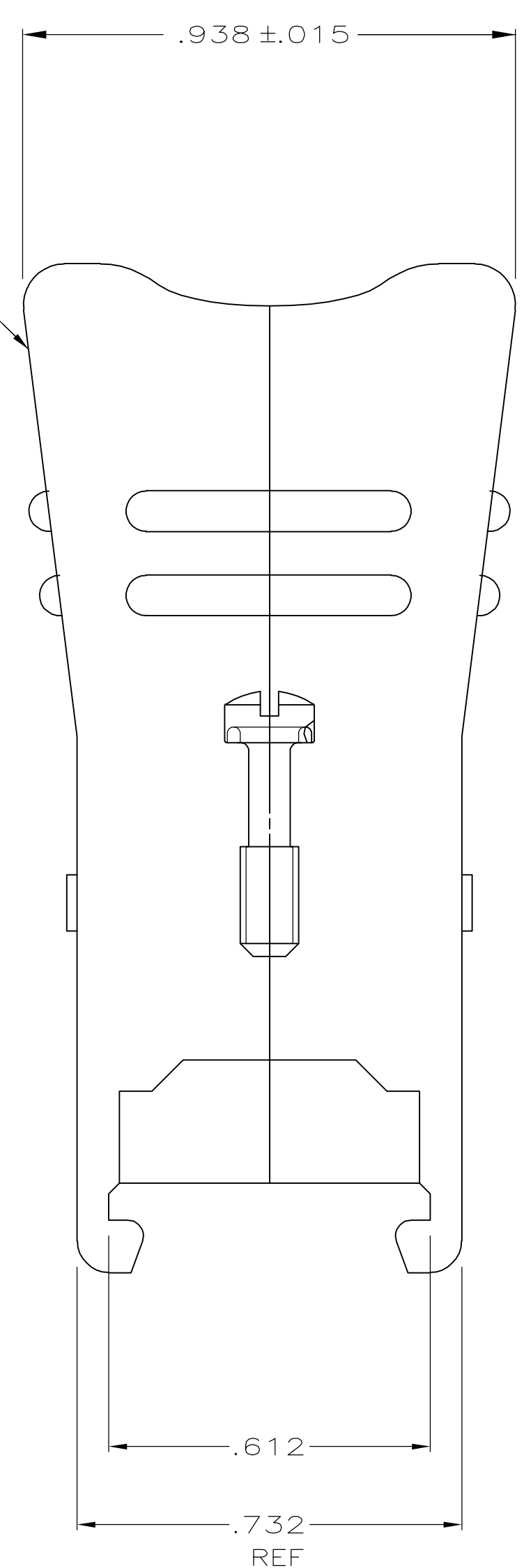


- 1 THIS PART WILL FIT ANY SIZE 5 PLUG OR RECEPTACLE IN THE AMPLIMITE SERIES CONNECTOR.
- 2 ALL PARTS ARE PACKAGED UNASSEMBLED.
- 3 ONE KIT PER POLY BAG.

INTERNAL CABLE TIE OPENINGS
 CABLE OPENING OF .471 SQUARE INCHES=.775 DIA

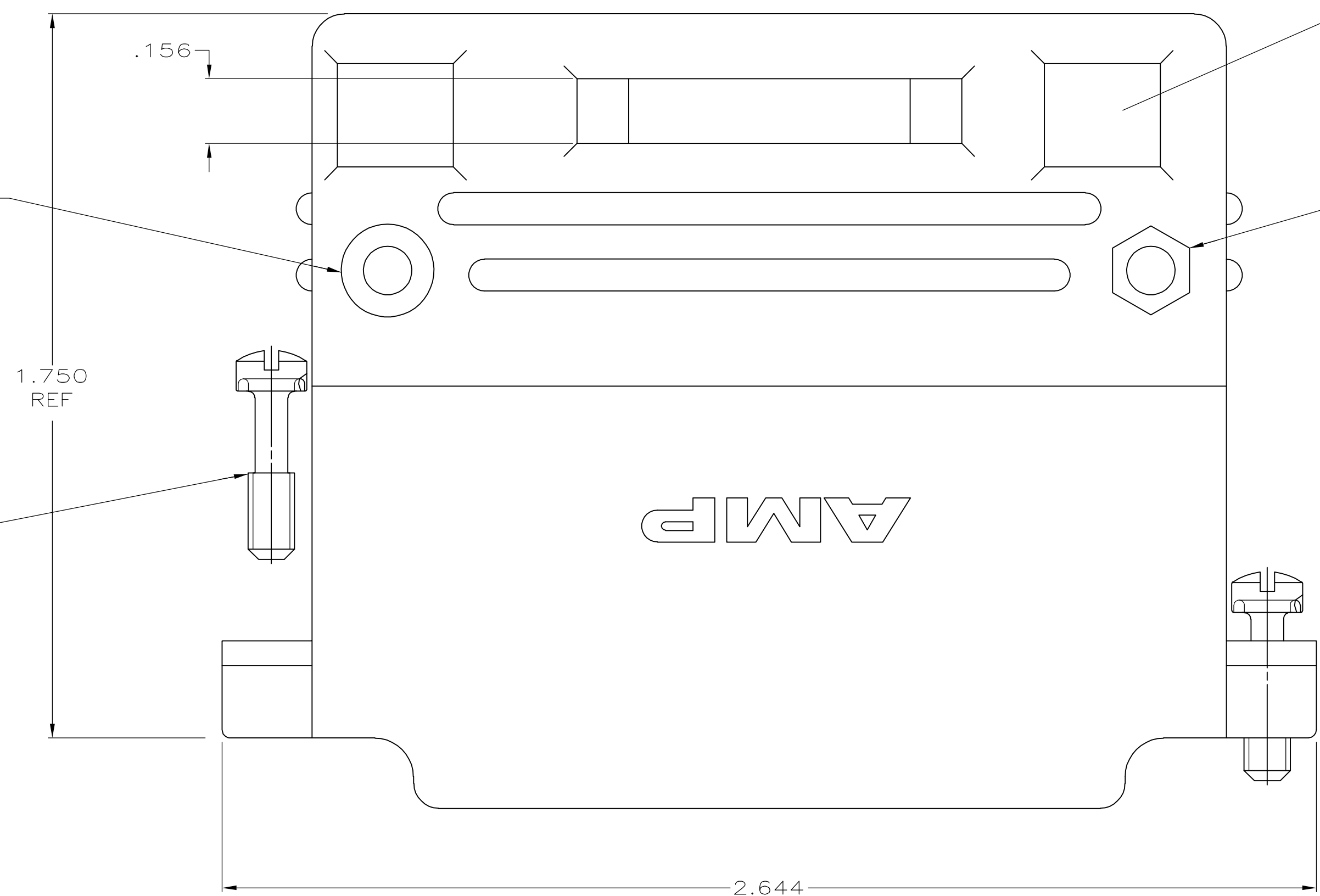


TWO PIECE CABLE SUPPORT HOUSING MATERIAL-THERMOPLASTIC GRAY



#4-40 STEEL SCREW
 ZINC PLATED
 CLEAR CHROMATE COATED
 2 REQUIRED

#4-40 CRS SCREW
 ZINC PLATED
 YELLOW CHROMATE COATED
 2 REQUIRED



EXTERNAL CABLE TIE OPENINGS

#4-40 HEX NUT STEEL
 ZINC PLATED
 CLEAR CHROMATE COATED

3	5745082-1
PACKAGING	PART NUMBER

THIS DRAWING IS A CONTROLLED DOCUMENT.		DWN R. RICHARDSON 14SEP05	Tyco Electronics Corporation Harrisburg, PA 17105-3608
DIMENSIONS: INCHES		CHK C. ROHDE 14SEP05	
TOLERANCES UNLESS OTHERWISE SPECIFIED:		APVD M. WALMSLEY 14SEP04	NAME
0 PLC ± - 1 PLC ± - 2 PLC ± - 3 PLC ± .010 4 PLC ± - ANGLES ± -		PRODUCT SPEC	CABLE SUPPORT ASSEMBLY, SIZE 5, 50 POSN, 90 DEGREES/180 DEGREES, AMPLIMITE HD-20
MATERIAL SEE CALLOUTS		FINISH SEE CALLOUTS	RESTRICTED TO
CUSTOMER DRAWING		WEIGHT	SCALE 4:1 SHEET 1 OF 1 REV 0